

MAPAL RANGE

THROUGHS & GUTTERS - "Easy to Assemble Flat Pack & Continuous Gutter System"

APPLICATIONS

Bespoke Troughs & Gutters

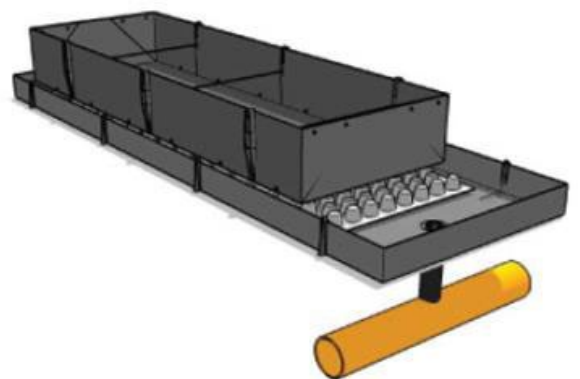
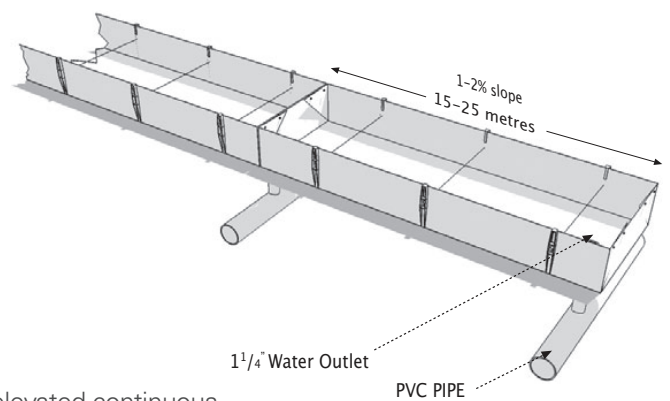
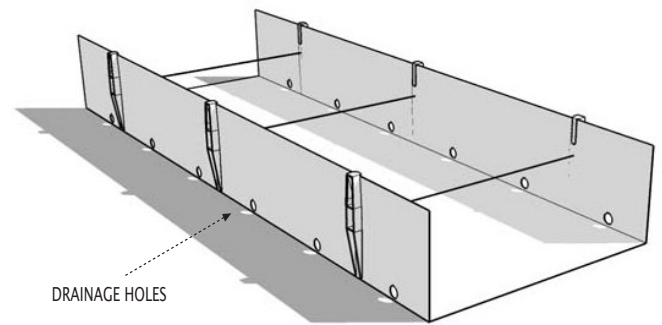
"A product popular world wide in Rose and Herb application"

SPECIFICATIONS

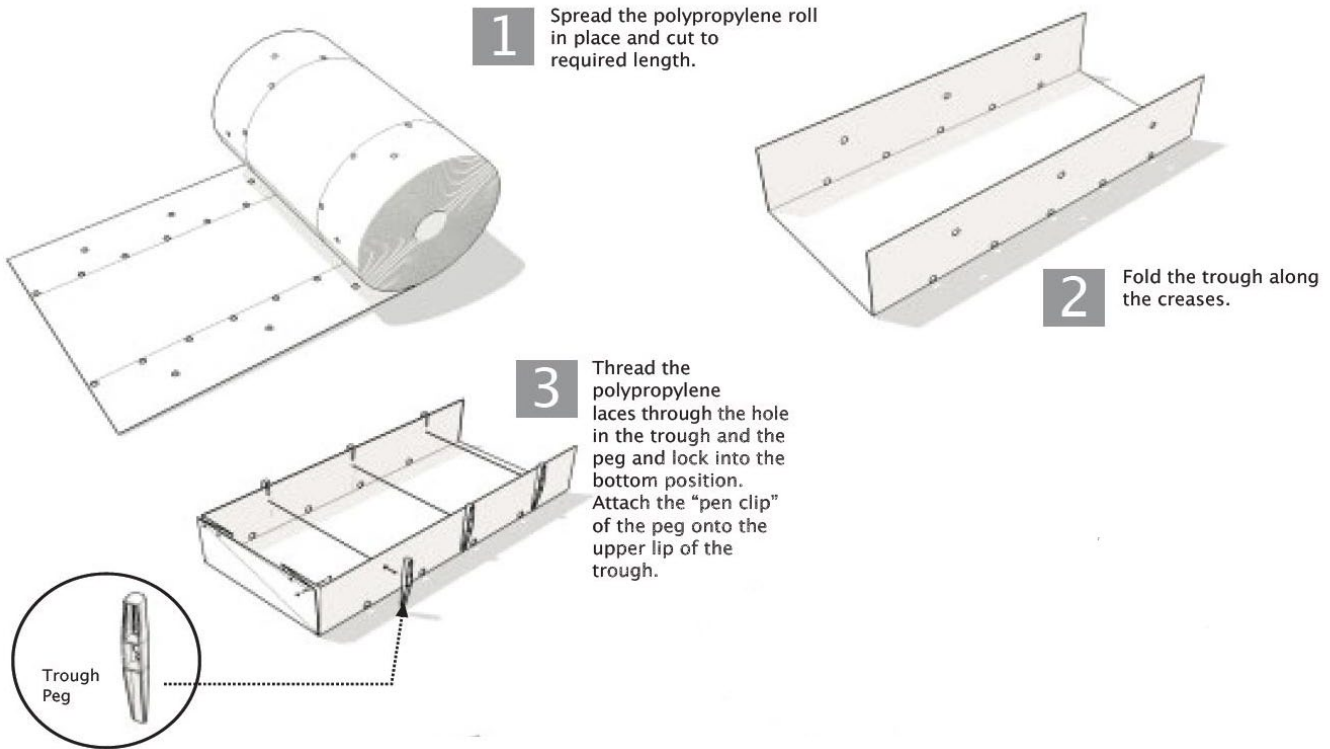
- UV Protected Polythene
- 700 Micron material thickness
- 5-year material warranty

FEATURES & BENEFITS

- UV Resistant.
- Easy to store and reuse.
- Supplied flat packed, easy to assemble.
- Resistant to chemicals, acids and steam sterilisation.
- Ideal for placement on raised bed applications, and other elevated continuous support structures.
- Various widths and lengths available, suited to application requirements.
- Drain hole placement can be specified by grower, inc. quantity and position.
- Short trough, or continuous gutter options available.
- Can be used in combination with other Mapal product ranges.



Mapal Troughing Systems - INSTRUCTIONS FOR USE



OTHER MAPAL PRODUCTS FOR CONSIDERATION

Mapal Drainage Collection Gutters For Growbags (Coir & Rockwool)

